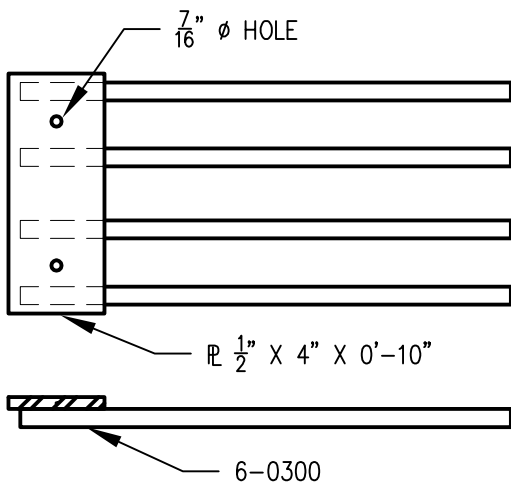
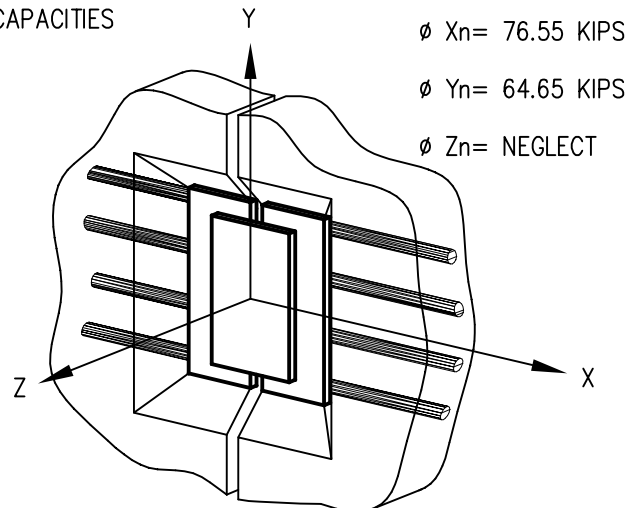


P-209



CAPACITIES



ISSUED MAY 2015

REVISED

WALL PANEL TO WALL PANEL
VERTICAL JOINT, HEAVY

W-2